



Spot

Medium

Flood

113120

113240

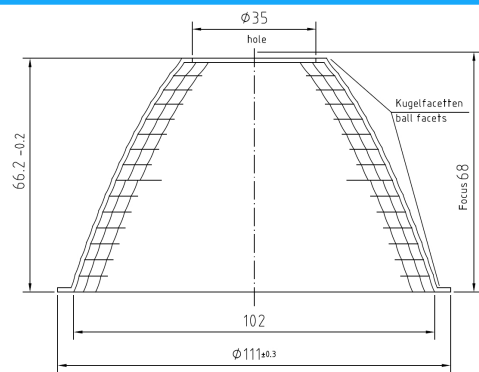
113241

### DESCRIPTION

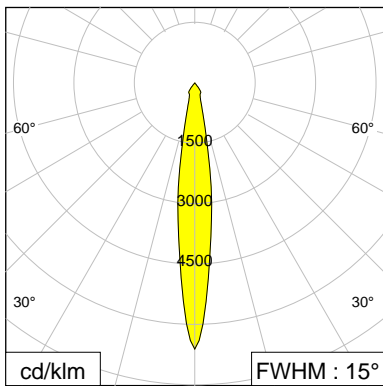
Outer diameter 111 mm  
 Inner diameter 102 mm  
 Height 66.2 mm  
 Material Aluminium; matalisiert; Alunova®  
 Technology SPUN

Beam characteristics Spot, Medium, Flood,

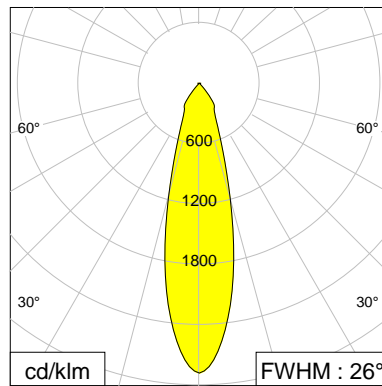
LOR >92 %



SPOT



MEDIUM



FLOOD

