

Spot

Medium

Flood

Wide Flood

OVAL

114031

114032

114033

114034

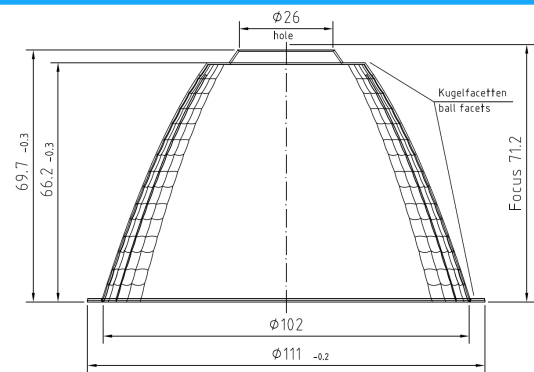
116404

DESCRIPTION

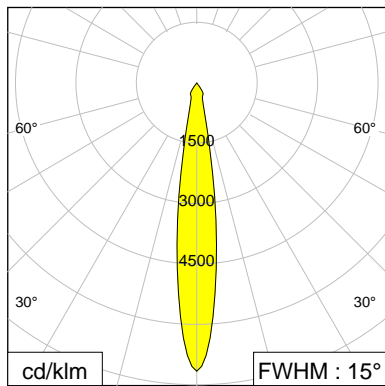
Outer diameter 111 mm
 Inner diameter 102 mm
 Height 69.7 mm
 Material Aluminium; voreloxiert; Miro@Silver
 Technology ULTRA

Beam characteristics Spot, Medium, Flood, Wide Flood, OVAL,

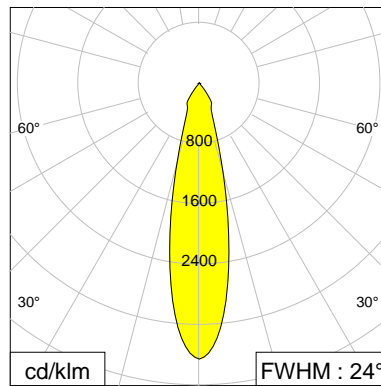
LOR >94 %



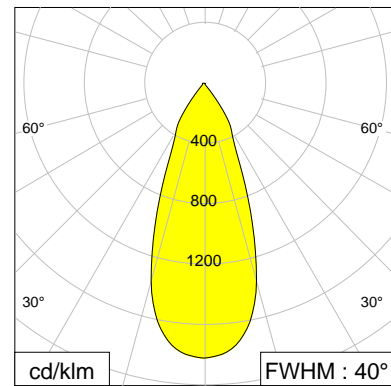
SPOT



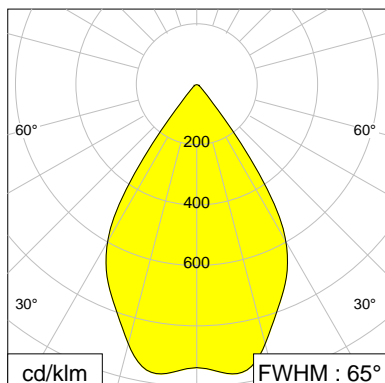
MEDIUM



FLOOD



WIDE FLOOD



OVAL

