

Spot

Wide Flood

116785

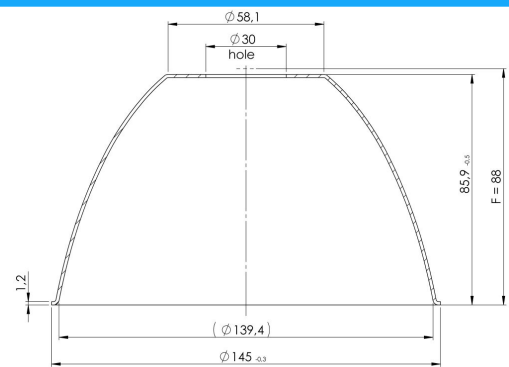
116831

### DESCRIPTION

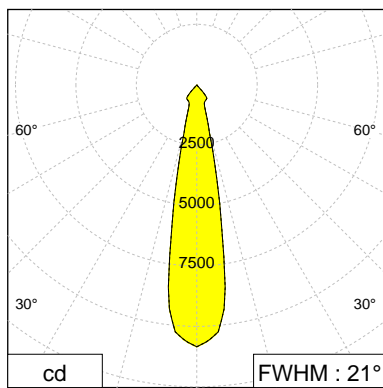
Outer diameter 145 mm  
 Inner diameter 140 mm  
 Height 86.0 mm  
 Material Anodized  
 Technology SPUN

Beam characteristics Spot, Wide Flood,

LOR >80 %



**SPOT**



**WIDE FLOOD**

