

Spot

Medium

Flood

Wide Flood

116385

116386

116387

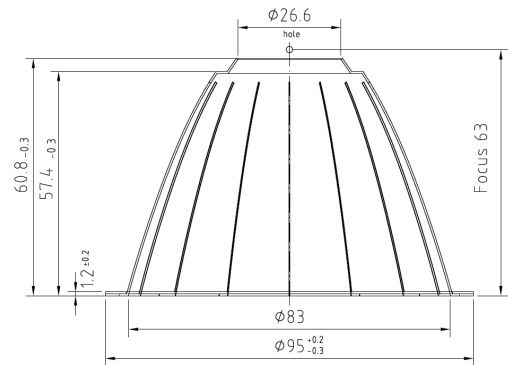
116388

DESCRIPTION

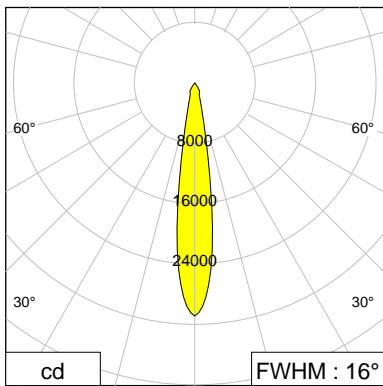
Outer diameter 95 mm
 Inner diameter 83 mm
 Height 60.8 mm
 Material Aluminium; voreloxiert; Miro@Silver
 Technology ULTRA

Beam characteristics Spot, Medium, Flood, Wide Flood,

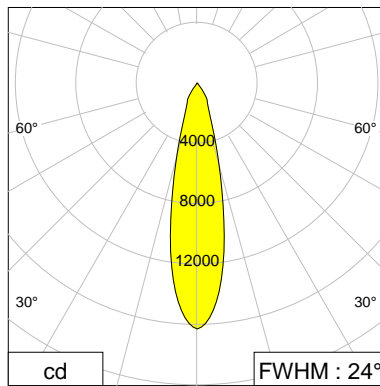
LOR >94 %



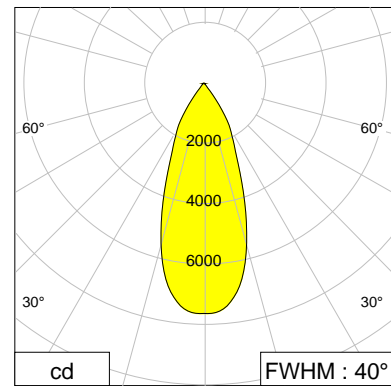
SPOT



MEDIUM



FLOOD



WIDE FLOOD

